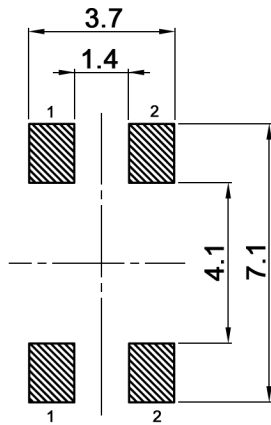
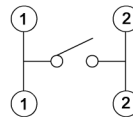


P.C.B. LAND DIMENSIONS



| Year | Date code 1-digit | Month | Date code 2-digit |
|------|-------------------|-------|-------------------|
| 2022 | 2                 | Jan   | 1                 |
| 2023 | 3                 | Feb   | 2                 |
| 2024 | 4                 | Mar   | 3                 |
| 2025 | 5                 | Apr   | 4                 |
| 2026 | 6                 | May   | 5                 |
| 2027 | 7                 | Jun   | 6                 |
| 2028 | 8                 | Jul   | 7                 |
| 2029 | 9                 | Aug   | 8                 |
| 2030 | 0                 | Sep   | 9                 |
| 2031 | 1                 | Oct   | 0                 |
| 2032 | 2                 | Nov   | N                 |
|      |                   | Dec   | D                 |

CIRCUIT DIAGRAM



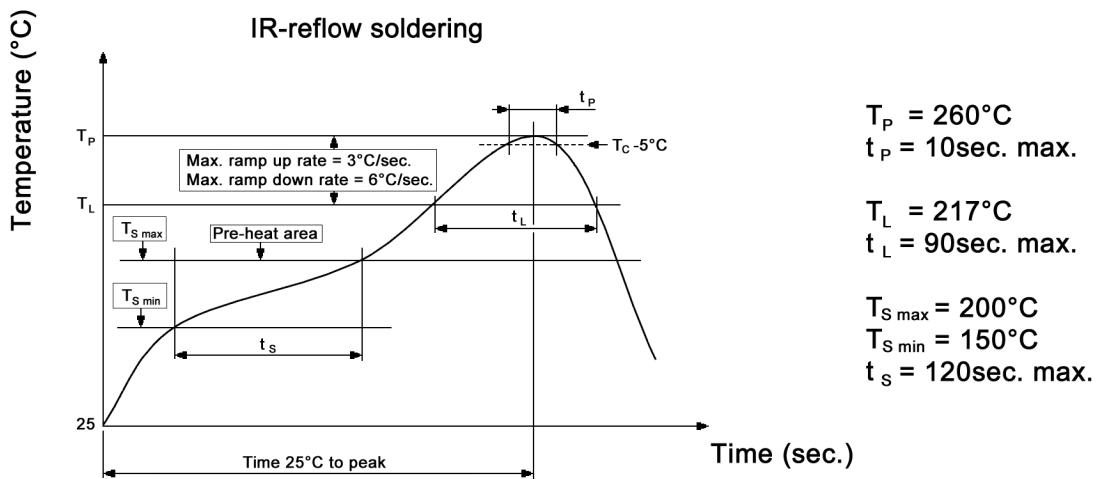
Compliance: RohS III (2015/863/EU)

|   |  |                       |      |                   |
|---|--|-----------------------|------|-------------------|
| Tolerances: up to 10: ±0.2 mm<br>above 10-50: ±0.3 mm |  | Date                  | Name | <h1>TMSE 10</h1>  |
|   |  | 10/22                 | dr   |                   |
|   |  |                       |      |                   |
|   |  |                       |      |                   |
|   |  |                       |      |                   |
|   |  | <b>knitter-switch</b> |      | <h1>30 48 98</h1> |
| Modifications   |  | Date                  | Name | Page<br>1/3       |

**Specifications:**

**Contact rating:** 100 mA, 24 V DC  
**Contact resistance:** 100 mOhm max.  
**Insulation resistance:** 100 MOhm min. at 500 V DC for 1 minute  
**Dielectric strength:** 250 V AC (50/60 Hz, 2 mA) for 1 minute  
**Operating temperature:** -55°C to +125°C  
**Mechanical life:** 100 000 cycles min.  
**Operating force:** 3 N +/-1 N  
**Material:** Stem: silicone rubber, blue  
 Contact: SUS, 0.125 µm silver plated over 0.025 µm nickel  
 Cover: stainless steel  
 Base: LCP, white  
 Terminal: brass, 0.075 µm gold plated over 0.025 µm nickel

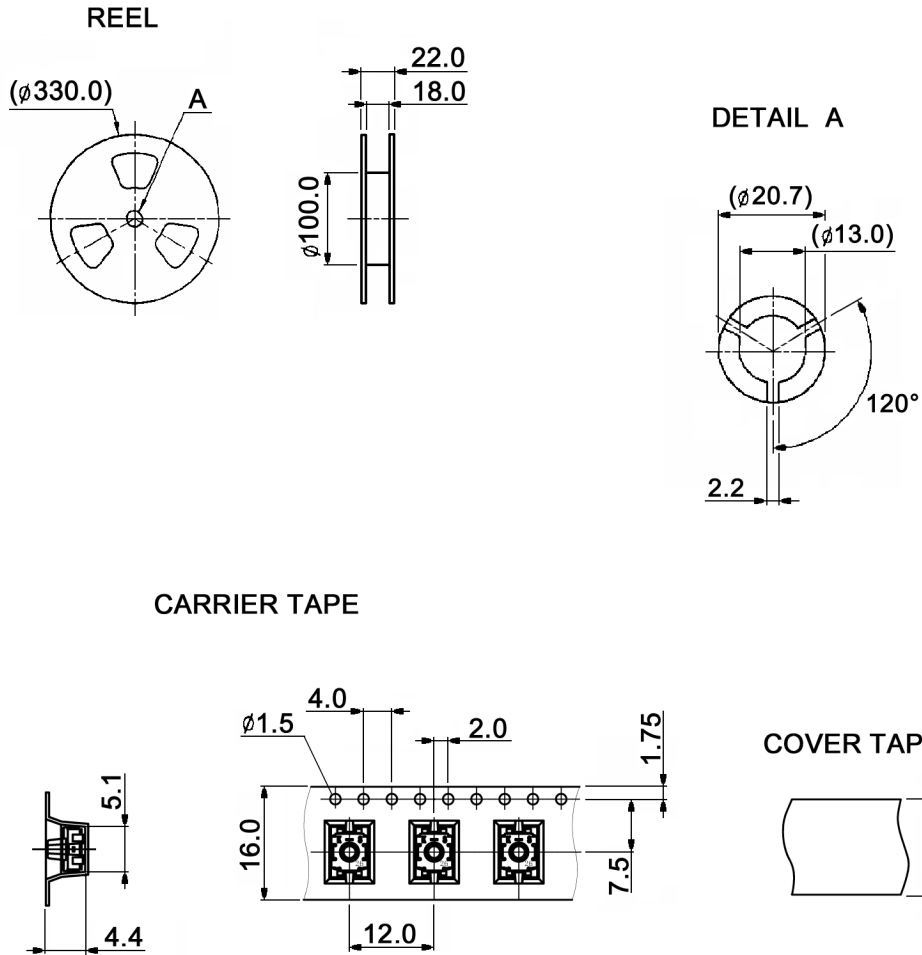
**Soldering conditions:**



Compliance: RohS III (2015/863/EU)

|   |      |                       |      |                   |
|---|------|-----------------------|------|-------------------|
| Tolerances: up to 10: ±0.2 mm<br>above 10-50: ±0.3 mm |      | Date                  | Name | <h1>TMSE 10</h1>  |
|   |      | 10/22                 | dr   |                   |
|   |      |                       |      |                   |
|   |      |                       |      |                   |
|   |      | <b>knitter-switch</b> |      | <h2>30 48 98</h2> |
| Modifications   | Date | Name                  |      | Page<br>2/3       |

Packaging:



Packaging unit: 1000 pcs. / reel  
Compliance: RohS III (2015/863/EU)

|   |       |      |                   |
|---|-------|------|-------------------|
| Tolerances: up to 10: $\pm 0.2$ mm<br>above 10-50: $\pm 0.3$ mm | Date  | Name | <h1>TMSE 10</h1>  |
|   | 10/22 | dr   |                   |
|   |       |      |                   |
|   |       |      |                   |
|   |       |      |                   |
|   |       |      | <h1>30 48 98</h1> |
|   |       |      |                   |
| Modifications   | Date  | Name | Page<br>3/3       |

**knitter-switch**